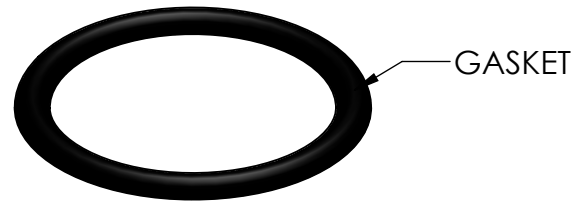


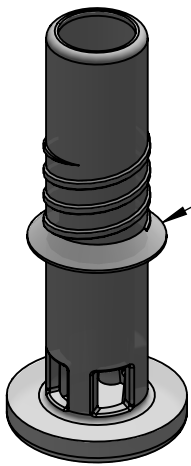
CUP



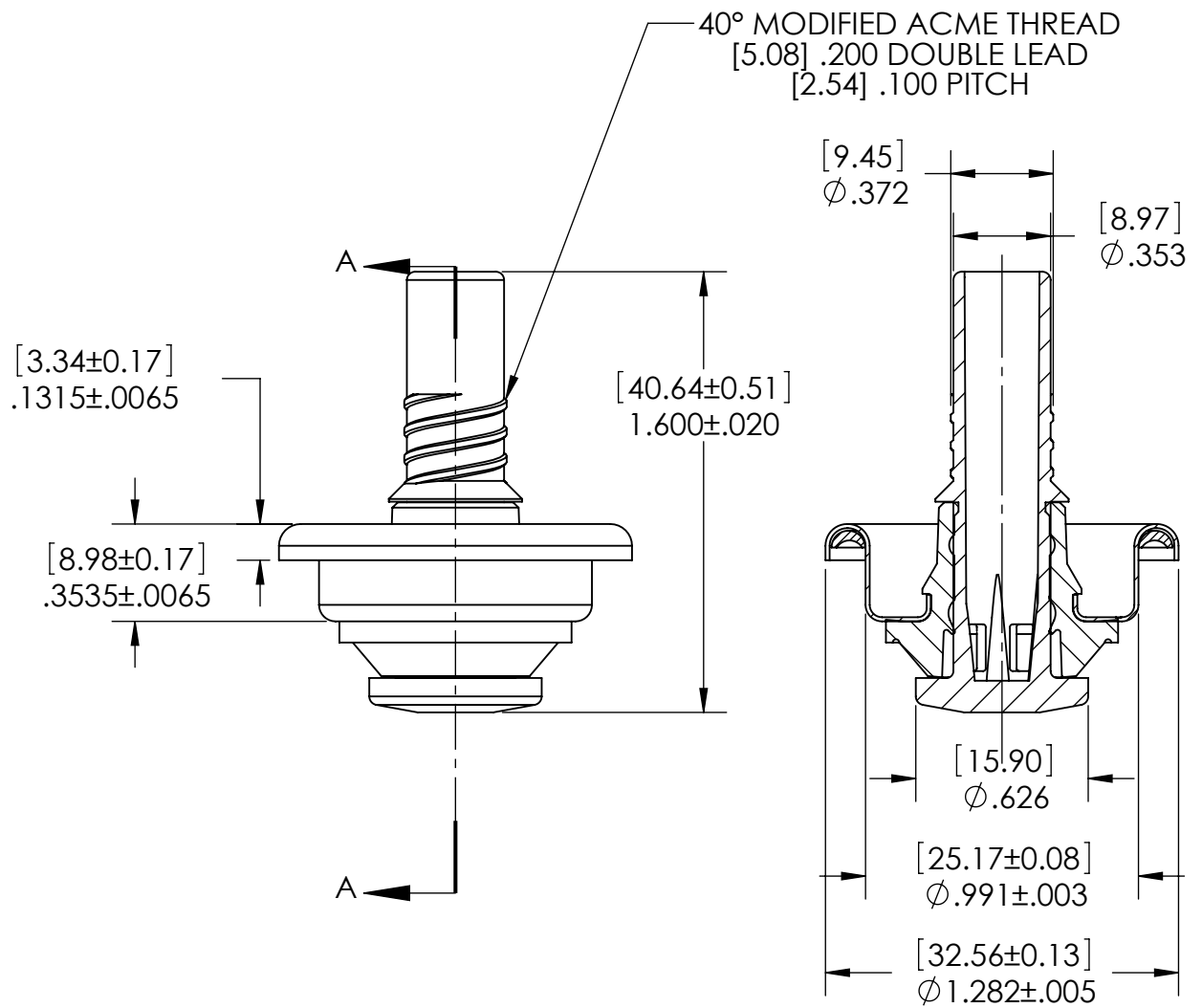
GASKET



SEAL



STEM



SECTION A-A

PROPRIETARY AND CONFIDENTIAL THE INFORMATION CONTAINED IN THIS DRAWING IS THE SOLE PROPERTY OF CLAYTON CORPORATION. ANY REPRODUCTION IN PART OR AS A WHOLE WITHOUT THE WRITTEN PERMISSION OF CLAYTON CORPORATION IS PROHIBITED.		CLAYTON CORPORATION 866 HORAN DR., FENTON, MO 63026 636-349-5333	
DRAWN BY:		NAME	DATE
CHECKED BY:			3/17/09
Tolerances:		SIZE	TITLE:
DECIMAL INCHES: 0.0 +/- .015"		A	653 Valve
0.00 +/- .010"		PART #	REV E
0.000 +/- .005"		1001000653	
ANGULAR: +/- .10 DEG.		MATERIAL:	SCALE: 3:2
			SHEET 1 OF 2



866 Horan Drive
 Fenton, MO 63026 USA
 1-800-729-8220
 1-636-349-5333
 www.claytoncorp.com

SPECIFICATION SHEET 653 VALVE

Valve Part Number: 1001000653

Valve Information:

Parameter	Information
Food Grade	No
Weight†	English: 0.32 oz.; Metric: 9.1 g

Valve Component Information:

Component	Appearance	Material	Other Information
Mounting Cup	Silver	Tin Free Steel	Top Coating: PET Coating Bottom Coating: PET Coating
Stem	Natural- Clear	Olefin Polymer	Orifices: English: 4 x 0.150 in. Metric: 4 x 3.81mm
Seal	Black	Neoprene	
Lathe Cut Gasket	Black	Nitrile	

Recommended Crimp Specification (Customer may need to adjust for their specific container):

Measurement	English	Metric
Diameter	1.050 in. — 1.060 in.	26.67mm — 26.92mm
Depth	0.200 in. — 0.210 in.	5.08mm — 5.33mm

Gassing Information:

Parameter	English	Metric
Valve opening distance if gassing through valve:	0.039 in. — 0.059 in.	1.00mm — 1.50mm

Carton Information:

Item	English	Metric
Quantity	2,000	2,000
Size	L: 19 in. x W: 12 in. x H: 14 in.	L: 48.3cm x W: 30.5cm x H: 35.6cm
Weight†	42.6 lbs.	19.3 kg

Pallet Information:

Item	USA	International
Style	USA	USA
Quantity	64,000 / 80,000	48,000
Size	L: 40 in. x W: 48 in. x H: 62 in. / 76 in.	L: 101.6cm x W: 121.9cm x H: 121.9cm
Weight†	1,404 lbs. / 1,744 lbs.	482 kg

Valve Warehouse Storage Information:

Condition	English	Metric
Location	Dry Protected Area	Dry Protected Area
Temperature	40°F — 100°F	4.4°C — 37.8°C
Time	Up to 5 years	Up to 5 years

† Weights are approximates

Approved By: Brennan Fogarty

Date: 11/20/2023