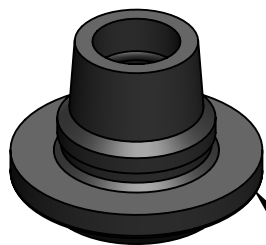
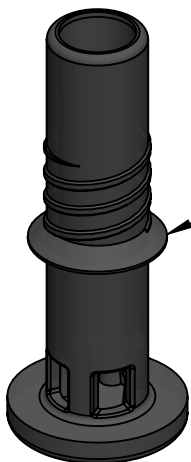


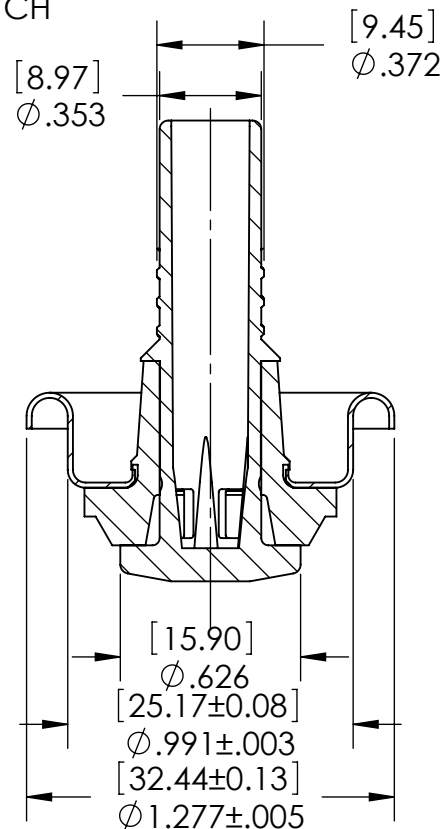
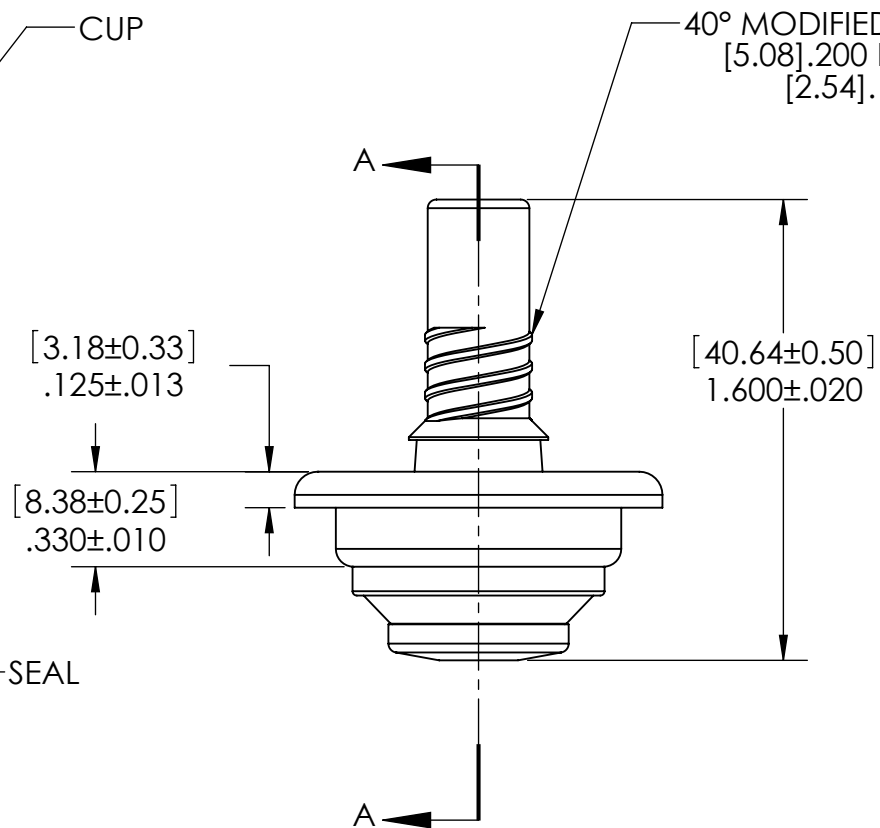
CUP



SEAL



STEM



SECTION A-A

**PROPRIETARY AND CONFIDENTIAL**

THE INFORMATION CONTAINED IN THIS DRAWING IS THE SOLE PROPERTY OF CLAYTON CORPORATION. ANY REPRODUCTION IN PART OR AS A WHOLE WITHOUT THE WRITTEN PERMISSION OF CLAYTON CORPORATION IS PROHIBITED.



866 HORAN DR.,  
FENTON, MO 63026  
636-349-5333

	NAME	DATE
DRAWN BY:	DGS	1/15/09
CHECKED BY:		3/18/09

TITLE: 1650 Valve		REV B
SIZE A	PART # 1001001650	MATERIAL:
SCALE: 3:2		SHEET 1 OF 2

Tolerances:  
DECIMAL INCHES: 0.0 +/- .015"  
0.00 +/- .010"  
0.000 +/- .005"  
ANGULAR: +/- .10 DEG.



866 Horan Drive  
 Fenton, MO 63026 USA  
 1-800-729-8220  
 1-636-349-5333  
 www.claytoncorp.com

## SPECIFICATION SHEET 1650 VALVE

**Valve Part Number:** 1001001650

**Valve Information:**

Parameter	Information
Food Grade	No
Weight†	English: 0.23 oz.; Metric: 6.5 g

**Valve Component Information:**

Component	Appearance	Material	Other Information
Mounting Cup	Silver	Tin Plate Steel	Top Coating: Epoxy Lacquer Bottom Coating: PP Laminate
Stem	Natural- Clear	Olefin Polymer	Orifices: English: 4 x 0.150 in. Metric: 4 x 3.81mm
Seal	Black	TPE	

**Recommended Crimp Specification (Customer may need to adjust for their specific container):**

Measurement	English	Metric
Diameter	1.070 in. — 1.080 in.	27.18mm — 27.43mm
Depth	0.185 in. — 0.195 in.	4.70mm — 4.95mm

**Gassing Information:**

Parameter	English	Metric
Valve opening distance if gassing through valve:	0.039 in. — 0.059 in.	1.00mm — 1.50mm

**Carton Information:**

Item	English	Metric
Quantity	2,000	2,000
Size	L: 19 in. x W: 12 in. x H: 14 in.	L: 48.3cm x W: 30.5cm x H: 35.6cm
Weight†	31.9 lbs.	14.5 kg

**Pallet Information:**

Item	USA	International
Style	USA	USA
Quantity	64,000 / 80,000	48,000
Size	L: 40 in. x W: 48 in. x H: 62 in. / 76 in.	L: 101.6cm x W: 121.9cm x H: 121.9cm
Weight†	1,061 lbs. / 1,316 lbs.	367 kg

**Valve Warehouse Storage Information:**

Condition	English	Metric
Location	Dry Protected Area	Dry Protected Area
Temperature	40°F — 100°F	4.4°C — 37.8°C
Time	Up to 5 years	Up to 5 years

† Weights are approximates

Approved By: Brennan Fogarty

Date: 10/5/2021