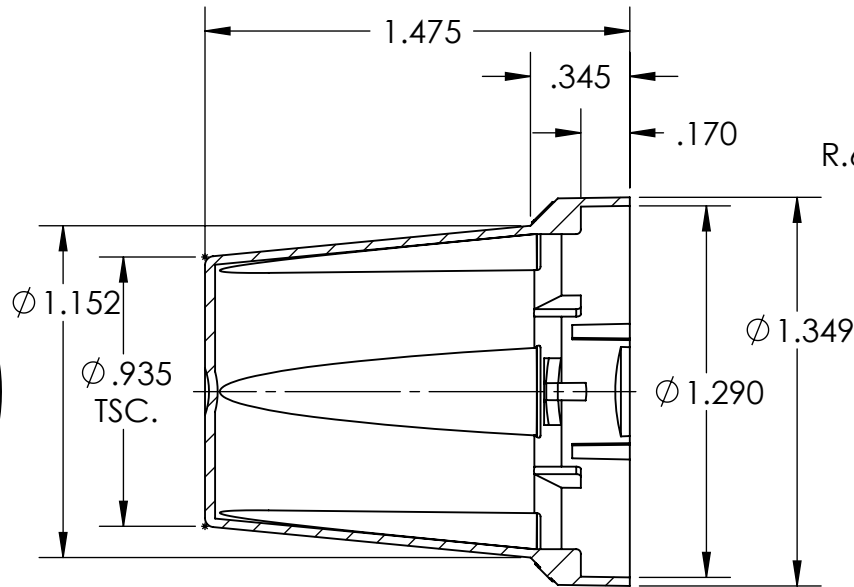
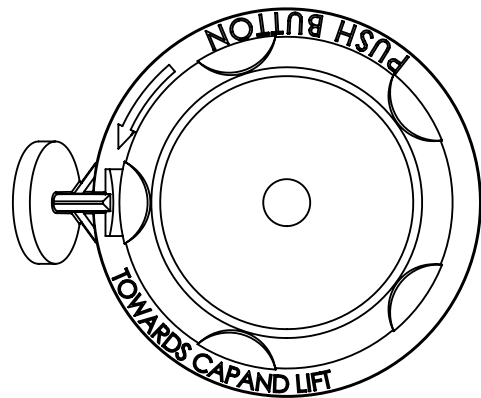
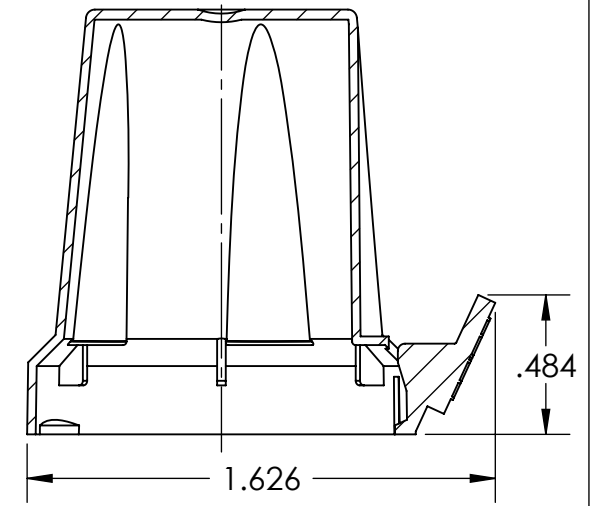


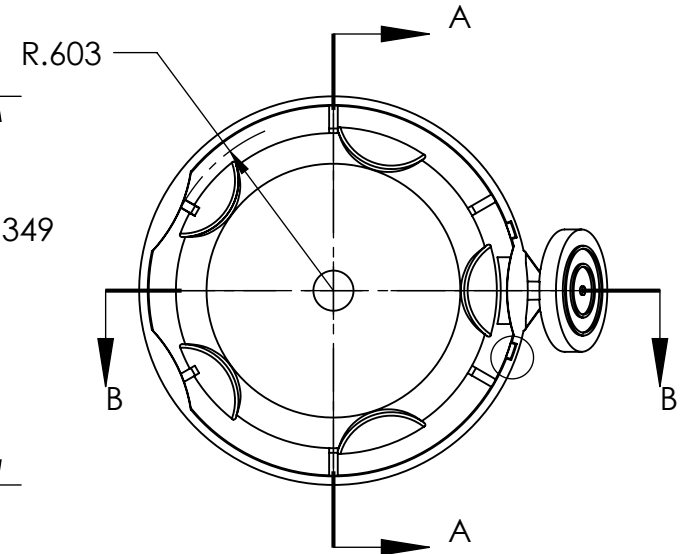
PART NO.	COLOR
3001520201	WHITE
3001520205	RED
3001520206	BLACK
3001545514	YELLOW CHEDDAR
3001545515	LIGHT BLUE (TURQUOISE)
3001545524	AMERICAN BLUE
3001545534	ORANGE SHARP CHEDDAR
3001545550	LIGHT AMERICAN BLUE
3001545574	PURPLE
3001545584	GREEN



SECTION A-A



SECTION B-B



MEETS FDA 21 CFR 178.3297 & 21 CFR 177.1520

PROPRIETARY AND CONFIDENTIAL
 THE INFORMATION CONTAINED IN THIS DRAWING IS THE SOLE PROPERTY OF CLAYTON CORPORATION. ANY REPRODUCTION IN PART OR AS A WHOLE WITHOUT THE WRITTEN PERMISSION OF CLAYTON CORPORATION IS PROHIBITED.



866 HORAN DR.,
 FENTON, MO 63026
 636-349-5333

	NAME	DATE
DRAWN BY:	DGS	2/12/09
CHECKED BY:		7/15/10

Tolerances:
 DECIMAL INCHES: 0.0 +/- .015"
 0.00 +/- .010"
 0.000 +/- .005"
 ANGULAR: +/- .10 DEG.

TITLE:		REV G	
SL 508 Cover		PART #	300152020X, 30015455XX
SIZE	A	MATERIAL:	Olefin Polymer
		SCALE:	3:2
		SHEET	1 OF 2



866 Horan Drive
Fenton, MO 63026 USA
1-800-729-8220
1-636-349-5333
www.claytoncorp.com

SPECIFICATION SHEET SL 508 Cover

Cover Part Number: 300152020X, 30015455XX

Cover Information:

Parameter	Information
Food Grade	Yes
Weight†	English: 0.11 oz.; Metric: 3.2 g
Material	Olefin Polymer
Appearance	Variable

Carton Information:

Item	English	Metric
Quantity	2,500	2,500
Size	L: 23 in. x W: 15 in. x H: 18 in.	L: 58.4cm x W: 38.1cm x H: 45.7cm
Weight†	20.4 lbs.	9.3 kg

Pallet Information:

Item	USA	International
Style	USA	USA
Quantity	50,000	25,000
Size	L: 40 in. x W: 48 in. x H: 78 in.	L: 101.6cm x W: 121.9cm x H: 106.7cm
Weight†	448 lbs.	111 kg

Warehouse Storage Information:

Condition	English	Metric
Location	Dry Protected Area	Dry Protected Area
Temperature	40°F — 100°F	4.4°C — 37.8°C
Time	Up to 5 years	Up to 5 years

† Weights are approximates

Approved By: _____

Brennan Fogarty

Date: 10/5/2021